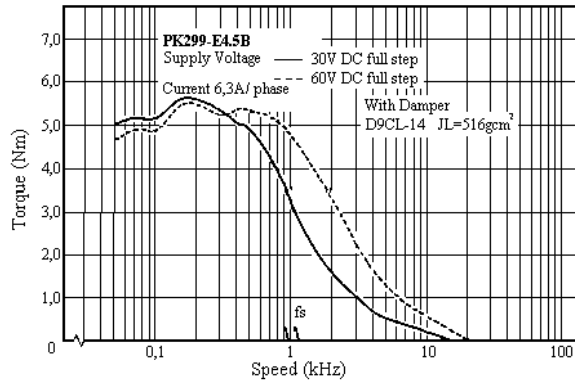


PK299	1,8° Step Angle	
	Drivermodul:	smd288 smd295

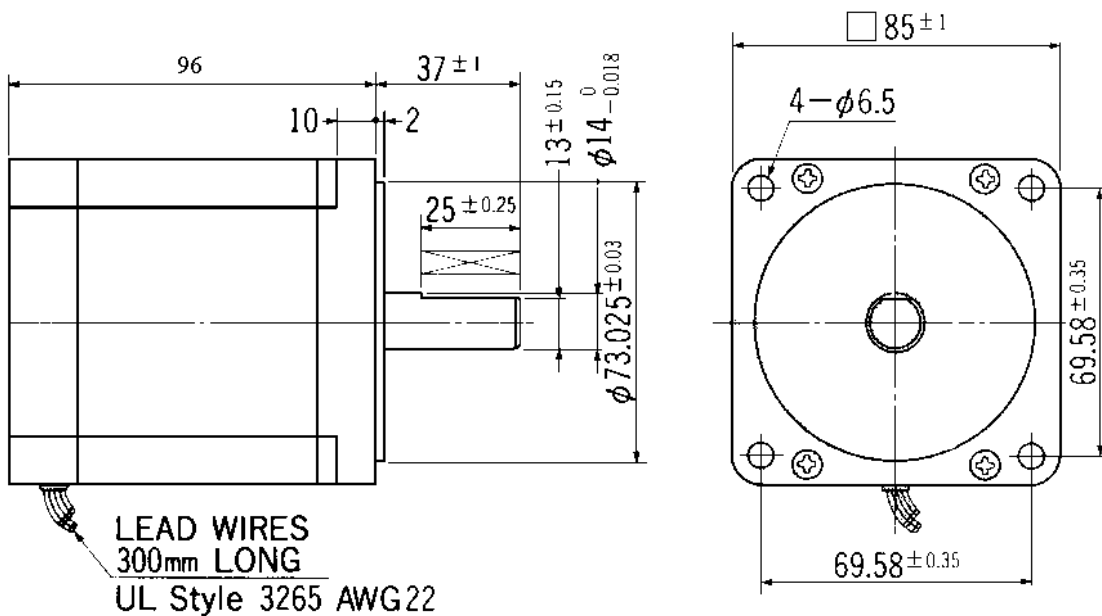
- Speed vs. Torque Characteristics**

Measured by unipolar constant driver
 TH: Holding Torque
 Fs: Max. Starting Rate



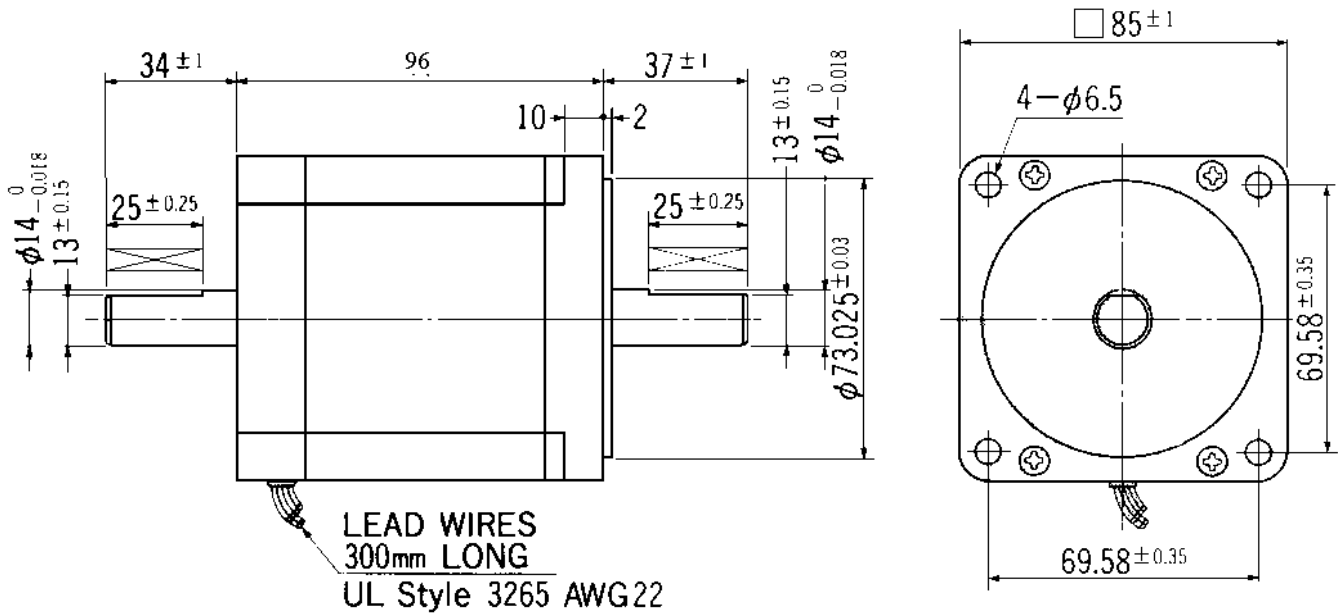
- Dimensions unit = mm**

Single Shaft Mass 2,8kg



PK299	1,8° Step Angle	
	Drivermodul:	smd288 smd295

Double Shaft Mass 2,8kg



- Specifications (Unipolar 2 phase excitation)**

Specifications (Unipolar 2 phase excitation)

Model		Holding Torque* Nm	Voltage V DC	Current A/Phase	Resistance per Phase Ohm/Phase	Inductance per Phase mH/Phase	Motor Inertia J kg m2	Number of Lead Wires
Single Shaft	Double Shaft							
PK299-E4,5A	PK299-E4.5B	4,31	2,8	4,5	0,66	2,5	270×10^{-6}	8

*Holding torque is the value operated with rated voltage and two-phase excitation.