

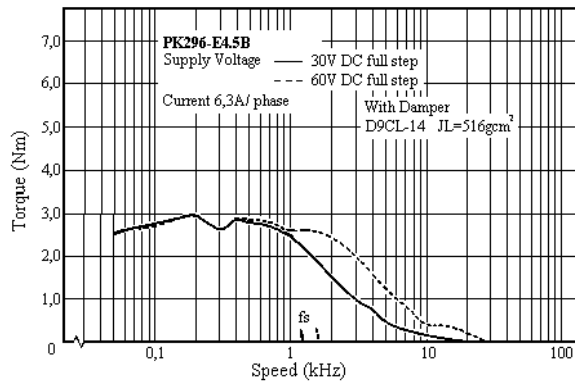
<b>PK296</b>	1,8° Step Angle	
	Drivermodul:	MediStep24 MediStep euro smd288 smd295

- Speed vs. Torque Characteristics**

Measured by unipolar constant driver

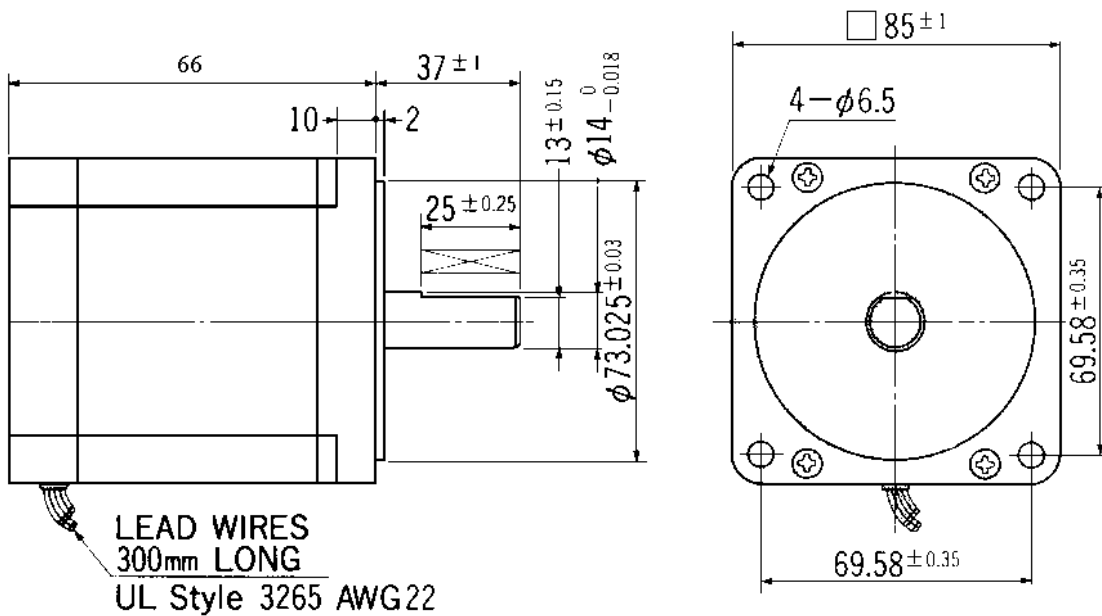
TH: Holding Torque

Fs: Max. Starting Rate



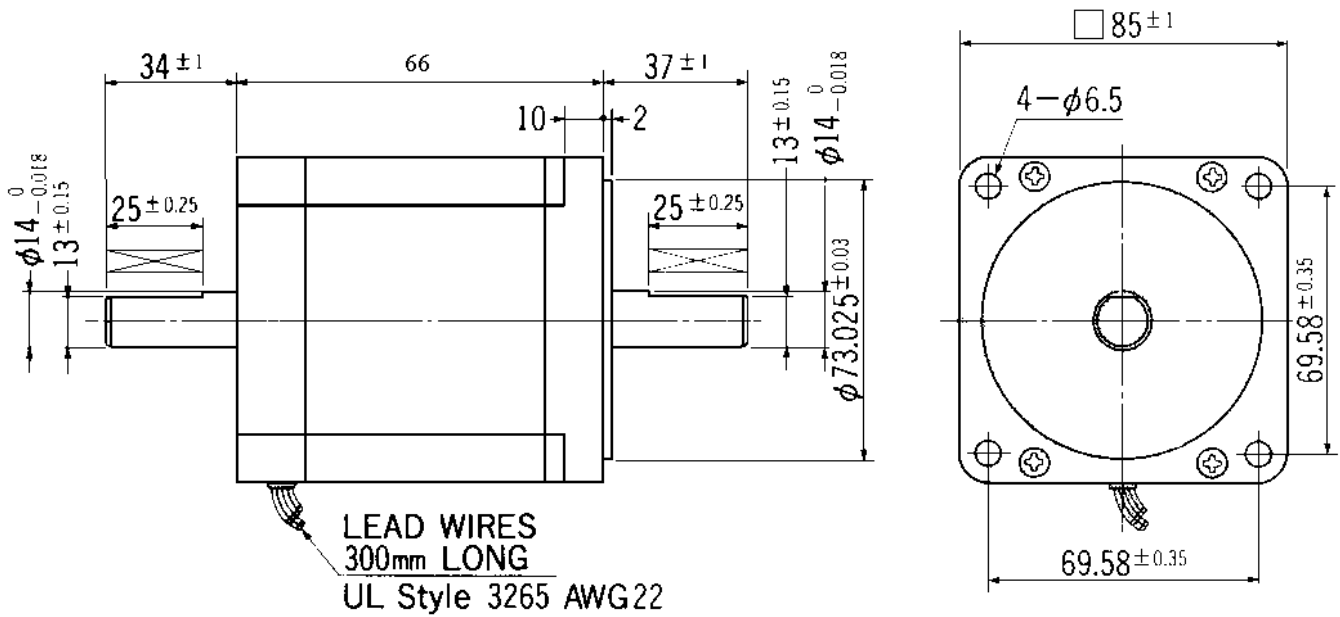
- Dimensions unit = mm**

Single Shaft Mass 1,7kg



<b>PK296</b>	1,8° Step Angle	
	Drivermodul:	MediStep24 MediStep euro smd288 smd295

Double Shaft Mass 1,7kg



- Specifications (Unipolar 2 phase excitation)**

Specifications (Unipolar 2 phase excitation)

Model		Holding Torque* Nm	Voltage V DC	Current A/Phase	Resistance per Phase Ohm/Phase	Inductance per Phase mH/Phase	Motor Inertia J kg m <sup>2</sup>	Number of Lead Wires
Single Shaft	Double Shaft							
PK296-E4.5A	PK296-E4.5B	2,15	2	4,5	0,48	1,5	140x10 <sup>-6</sup>	8

\*Holding torque is the value operated with rated voltage and two-phase excitation.