

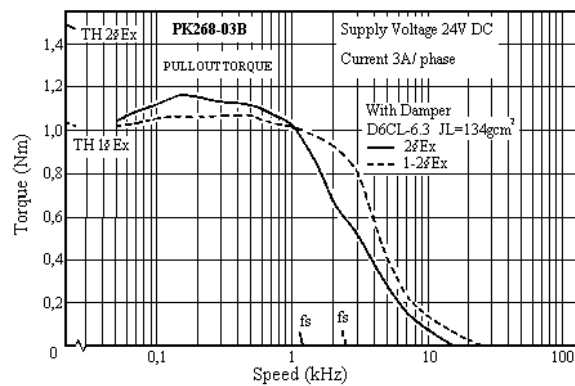
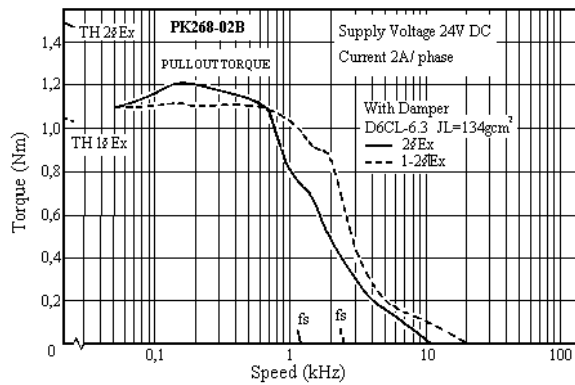
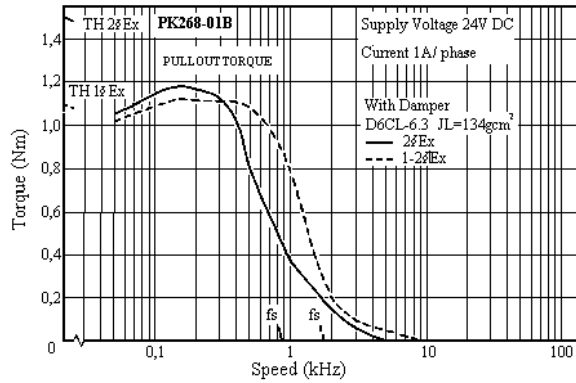
PK268	1,8° Step Angle	
	Drivermodul:	MediStep24 MediStep euro

- Speed vs. Torque Characteristics**

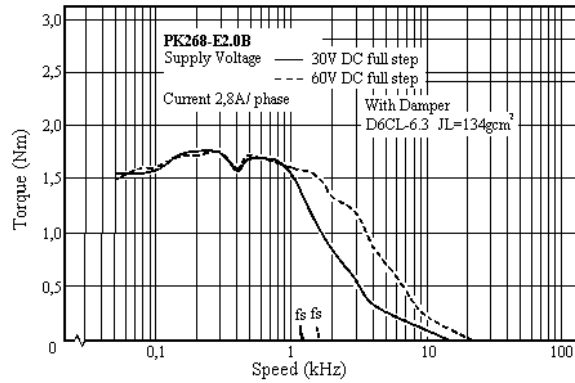
Measured by unipolar constant driver

TH: Holding Torque

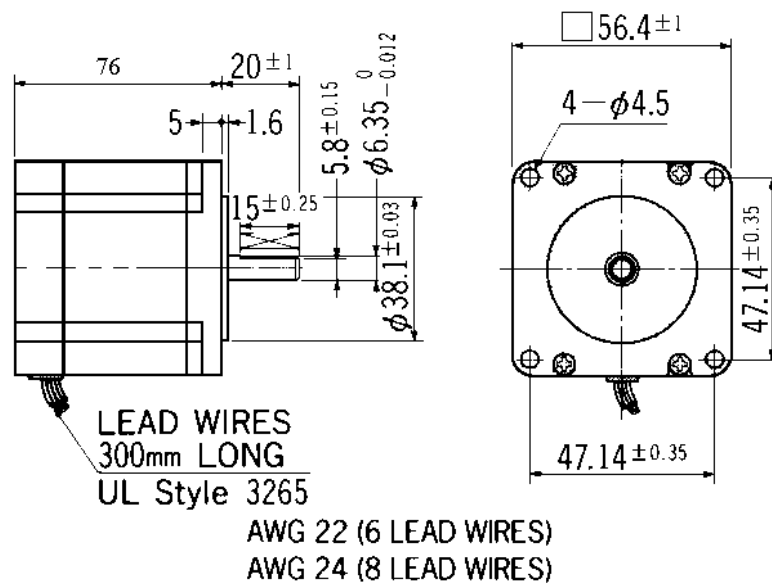
Fs: Max. Starting Rate



PK268	1,8° Step Angle	
	Drivermodul:	MediStep24 MediStep euro

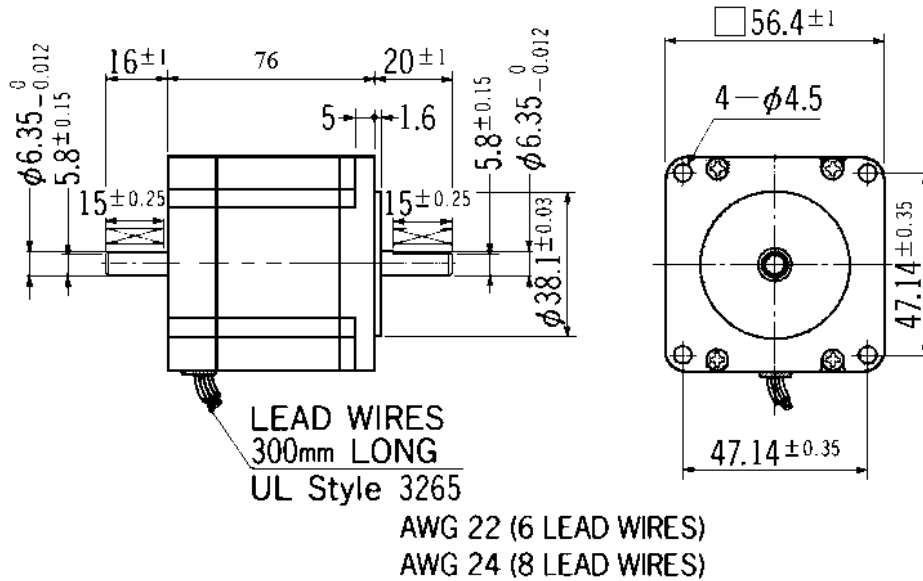


- **Dimensions unit = mm**
Single Shaft Mass 1kg



PK268	1,8° Step Angle	
	Drivermodul:	MediStep24 MediStep euro

Double Shaft Mass 1kg



- Specifications (Unipolar 2 phase excitation)**

Specifications (Unipolar 2 phase excitation)

Model		Holding Torque* Nm	Voltage V DC	Current A/Phase	Resistance per Phase Ohm/Phase	Inductance per Phase mH/Phase	Motor Inertia J kg m2	Number of Lead Wires
Single Shaft	Double Shaft							
PK268-01A	PK268-01B	1,32	8,6	1	8,6	14	48x10 ⁻⁶	6
PK268-02A	PK268-02B	1,32	4,5	2	2,25	3,6	48x10 ⁻⁶	6
PK268-03A	PK268-03B	1,32	3	3	1	1,6	48x10 ⁻⁶	6
PK268-E2.0A	PK268-E2.0B	1,32	4,5	2	2,25	3,6	48x10 ⁻⁶	8

*Holding torque is the value operated with rated voltage and two-phase excitation.