

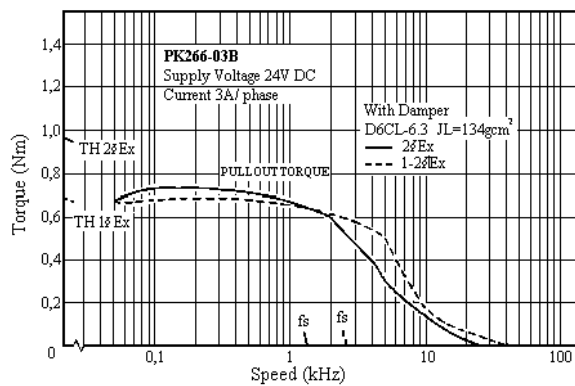
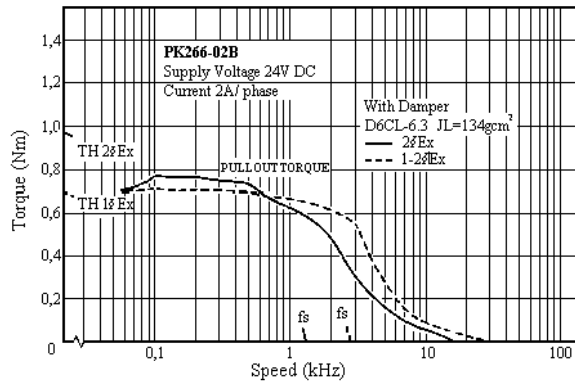
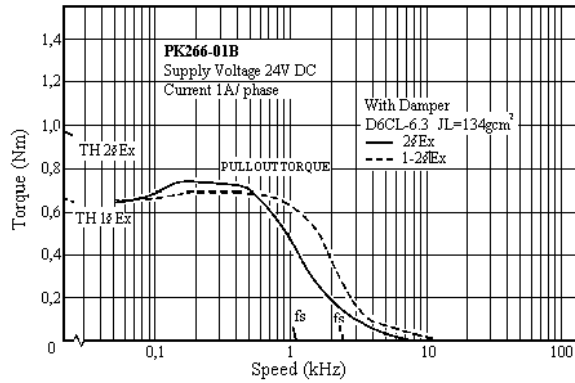
PK266	1,8° Step Angle	
	Drivermodul:	MediStep24 MediStep euro

- Speed vs. Torque Characteristics**

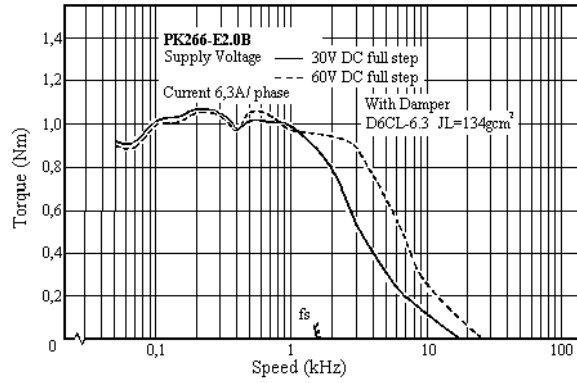
Measured by unipolar constant driver

TH: Holding Torque

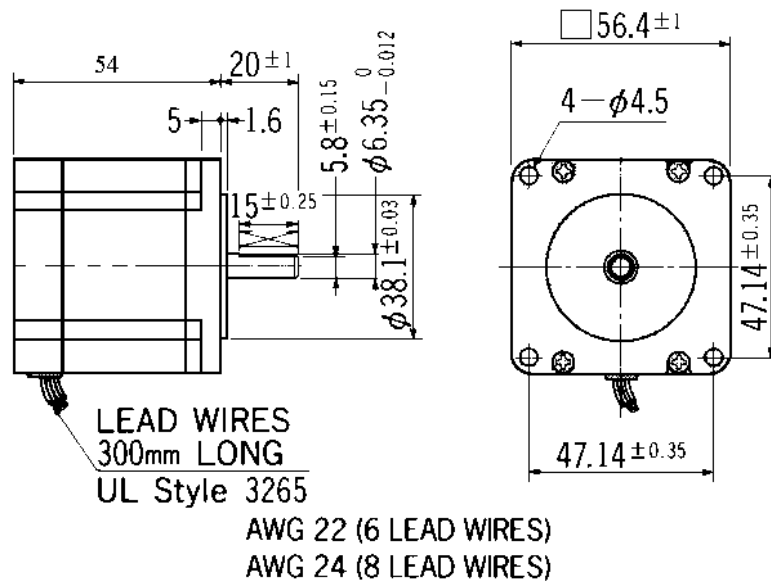
Fs: Max. Starting Rate



PK266	1,8° Step Angle	
	Drivermodul:	MediStep24 MediStep euro

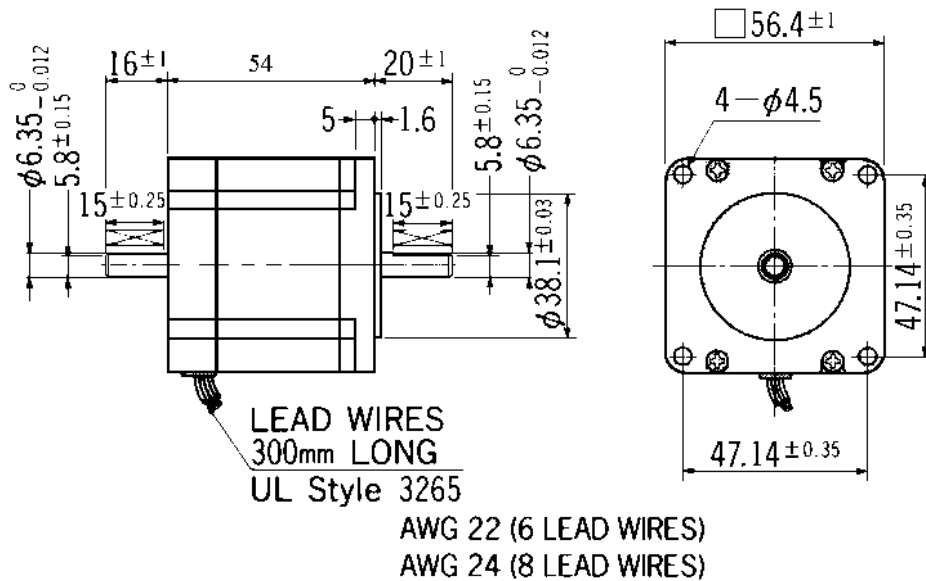


- **Dimensions unit = mm**
Single Shaft Mass 0,7kg



PK266	1,8° Step Angle	
	Drivermodul:	MediStep24 MediStep euro

Double Shaft Mass 0,7kg



- Specifications (Unipolar 2 phase excitation)**

Specifications (Unipolar 2 phase excitation)

Model		Holding Torque* Nm	Voltage V DC	Current A/Phase	Resistance per Phase Ohm/Phase	Inductance per Phase mH/Phase	Motor Inertia J kg m ²	Number of Lead Wires
Single Shaft	Double Shaft							
PK266-01A	PK266-01B	0,88	7,4	1	7,4	10	30x10 ⁻⁶	6
PK266-02A	PK266-02B	0,88	3,6	2	1,8	2,5	30x10 ⁻⁶	6
PK266-03A	PK266-03B	0,88	2,3	3	0,75	1,2	30x10 ⁻⁶	6
PK266-E2.0A	PK266-E2.0B	0,88	3,6	2	1,8	2,5	30x10 ⁻⁶	8

*Holding torque is the value operated with rated voltage and two-phase excitation.