

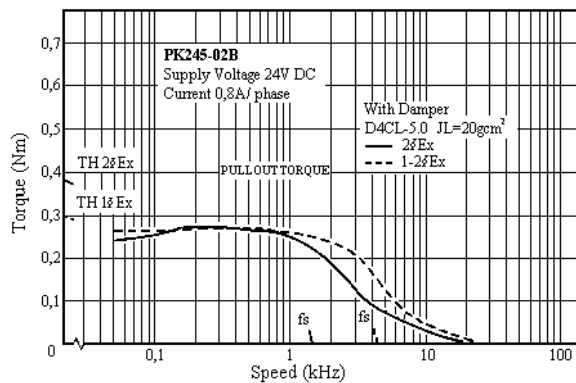
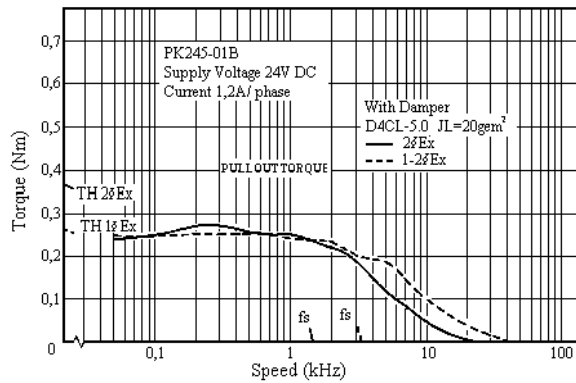
PK245	1,8° Step Angle	
	Drivermodul:	MiniStep MediStep24 MediStep euro

- Speed vs. Torque Characteristics**

Measured by unipolar constant driver

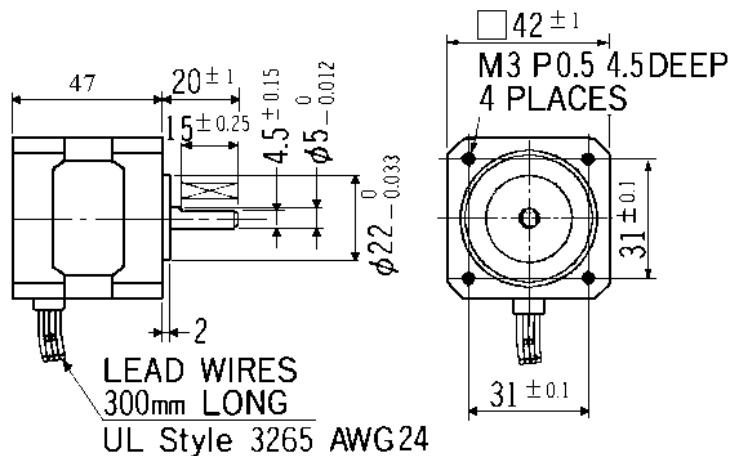
TH: Holding Torque

Fs: Max. Starting Rate



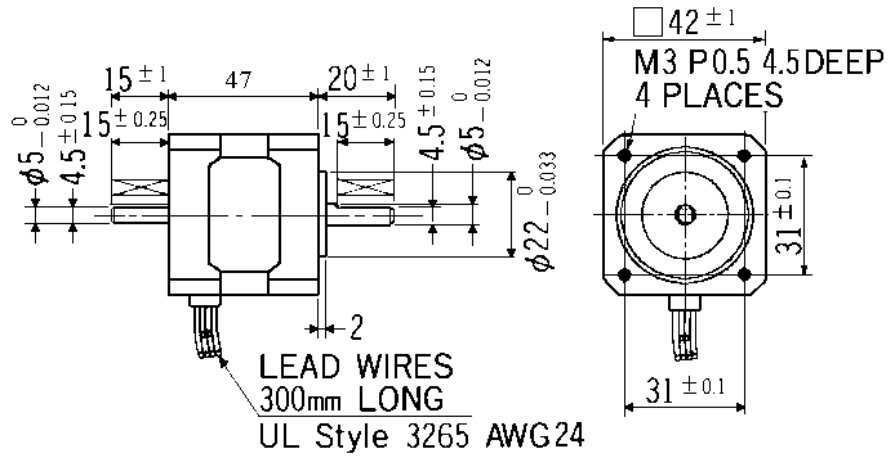
- Dimensions unit = mm**

Single Shaft Mass 0,35kg



PK245	1,8° Step Angle	
	Drivermodul:	MiniStep MediStep24 MediStep euro

Double Shaft Mass 0,35kg



- Specifications (Unipolar 2 phase excitation)**

Specifications (Unipolar 2 phase excitation)

Model		Holding Torque* Nm	Voltage V DC	Current A/Phase	Resistance per Phase Ohm/Phase	Inductance per Phase mH/Phase	Motor Inertia J kg m2	Number of Lead Wires
Single Shaft	Double Shaft							
PK245-01A	PK245-01B	0,31	4	1,2	3,3	2,8	6,8x10 ⁻⁶	6
PK245-02A	PK245-02B	0,31	6	0,8	7,5	7,1	6,8x10 ⁻⁶	6
PK245-03A	PK245-03B	0,31	9	0,4	30	25	6,8x10 ⁻⁶	6

*Holding torque is the value operated with rated voltage and two-phase excitation.