

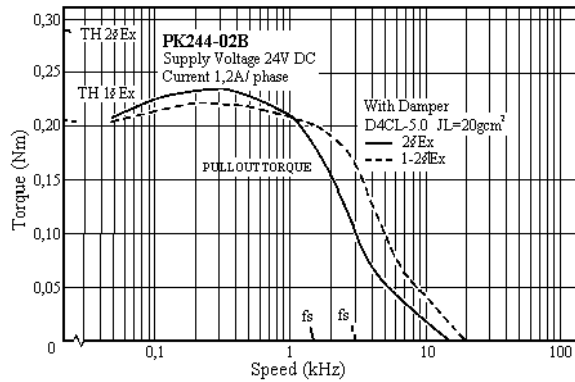
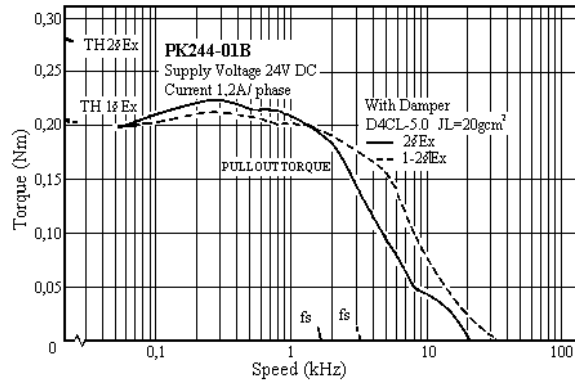
<b>PK244</b>	1,8° Step Angle	
	Drivermodul:	MiniStep

- Speed vs. Torque Characteristics**

Measured by unipolar constant driver

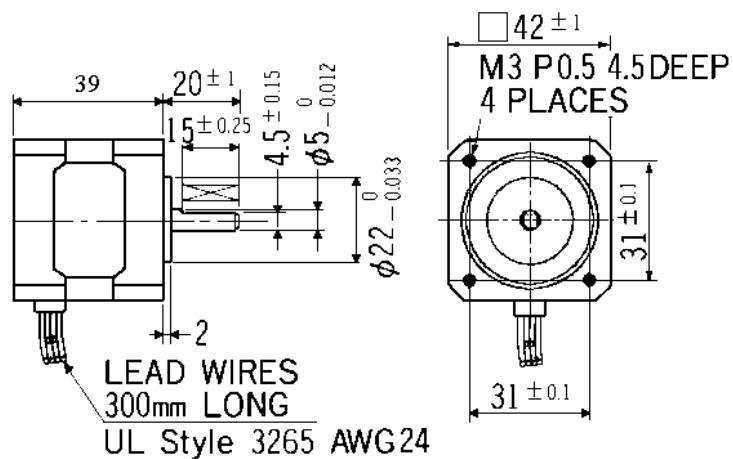
TH: Holding Torque

Fs: Max. Starting Rate



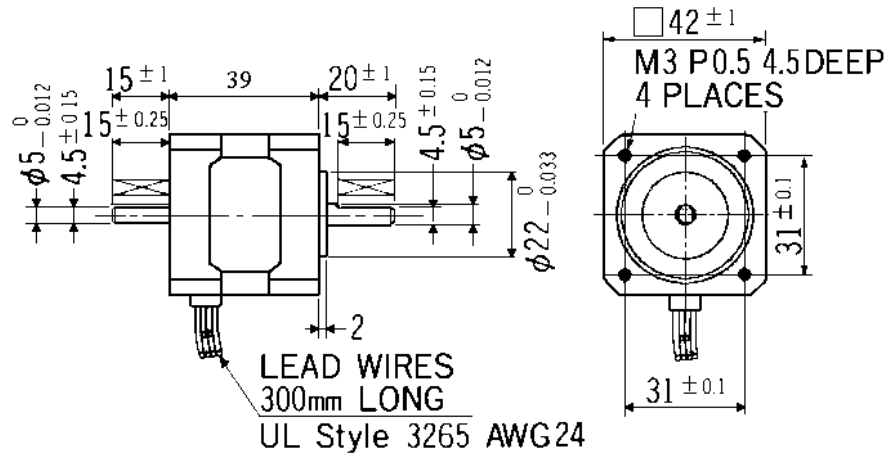
- Dimensions unit = mm**

Single Shaft Mass 0,27kg



<b>PK244</b>	1,8° Step Angle	
	Drivermodul:	MiniStep

Double Shaft Mass 0,27kg



- Specifications (Unipolar 2 phase excitation)**

Specifications (Unipolar 2 phase excitation)

Model		Holding Torque* Nm	Voltage V DC	Current A/Phase	Resistance per Phase Ohm/Phase	Inductance per Phase mH/Phase	Motor Inertia J kg m2	Number of Lead Wires
Single Shaft	Double Shaft							
PK244-01A	PK244-01B	0,25	4	1,2	3,3	3,2	5,4x10 <sup>-6</sup>	6
PK244-02A	PK244-02B	0,25	6	0,8	7,5	6,7	5,4x10 <sup>-6</sup>	6
PK244-03A	PK244-03B	0,25	12	0,4	30	30	5,4x10 <sup>-6</sup>	6
PK244-04A	PK244-04B	0,25	24	0,2	120	107	5,4x10 <sup>-6</sup>	6

\*Holding torque is the value operated with rated voltage and two-phase excitation.