

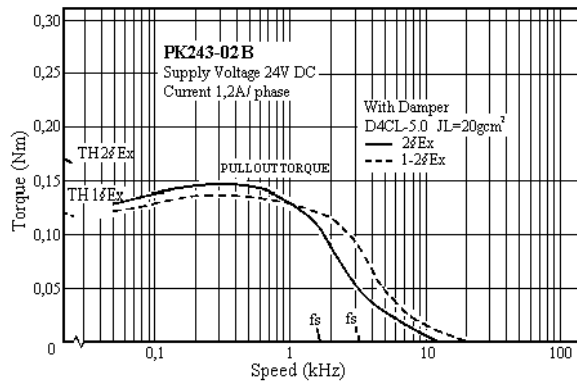
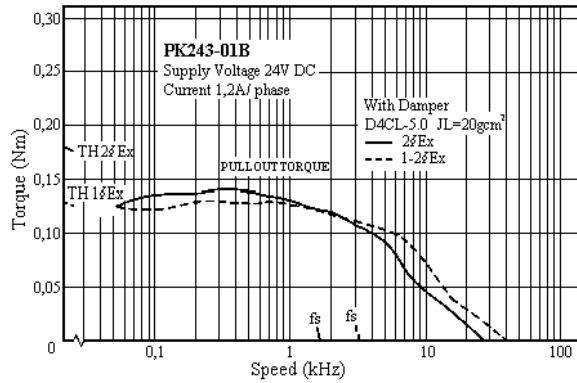
PK243	1,8° Step Angle	
	Drivermodul:	MiniStep

- Speed vs. Torque Characteristics**

Measured by unipolar constant driver

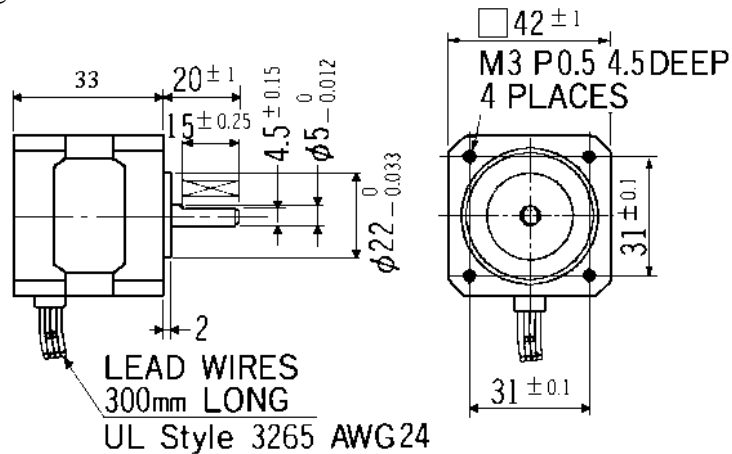
TH: Holding Torque

Fs: Max. Starting Rate



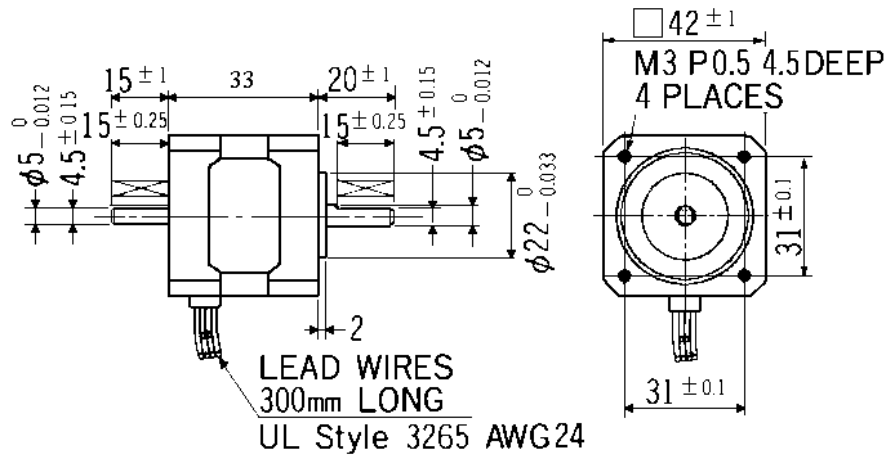
- Dimensions unit = mm**

Single Shaft Mass 0,21kg



PK243	1,8° Step Angle	
	Drivermodul:	MiniStep

Double Shaft Mass 0,21kg



- Specifications (Unipolar 2 phase excitation)**

Specifications (Unipolar 2 phase excitation)

Model		Holding Torque* Nm	Voltage V DC	Current A/Phase	Resistance per Phase Ohm/Phase	Inductance per Phase mH/Phase	Motor Inertia J kg m2	Number of Lead Wires
Single Shaft	Double Shaft							
PK243-01A	PK243-01B	0,15	4	0,95	4,2	2,5	3,5x10 ⁻⁶	6
PK243-02A	PK243-02B	0,15	9,6	0,4	24	15	3,5x10 ⁻⁶	6
PK243-03A	PK243-03B	0,15	12	0,31	38,5	21	3,5x10 ⁻⁶	6

*Holding torque is the value operated with rated voltage and two-phase excitation.